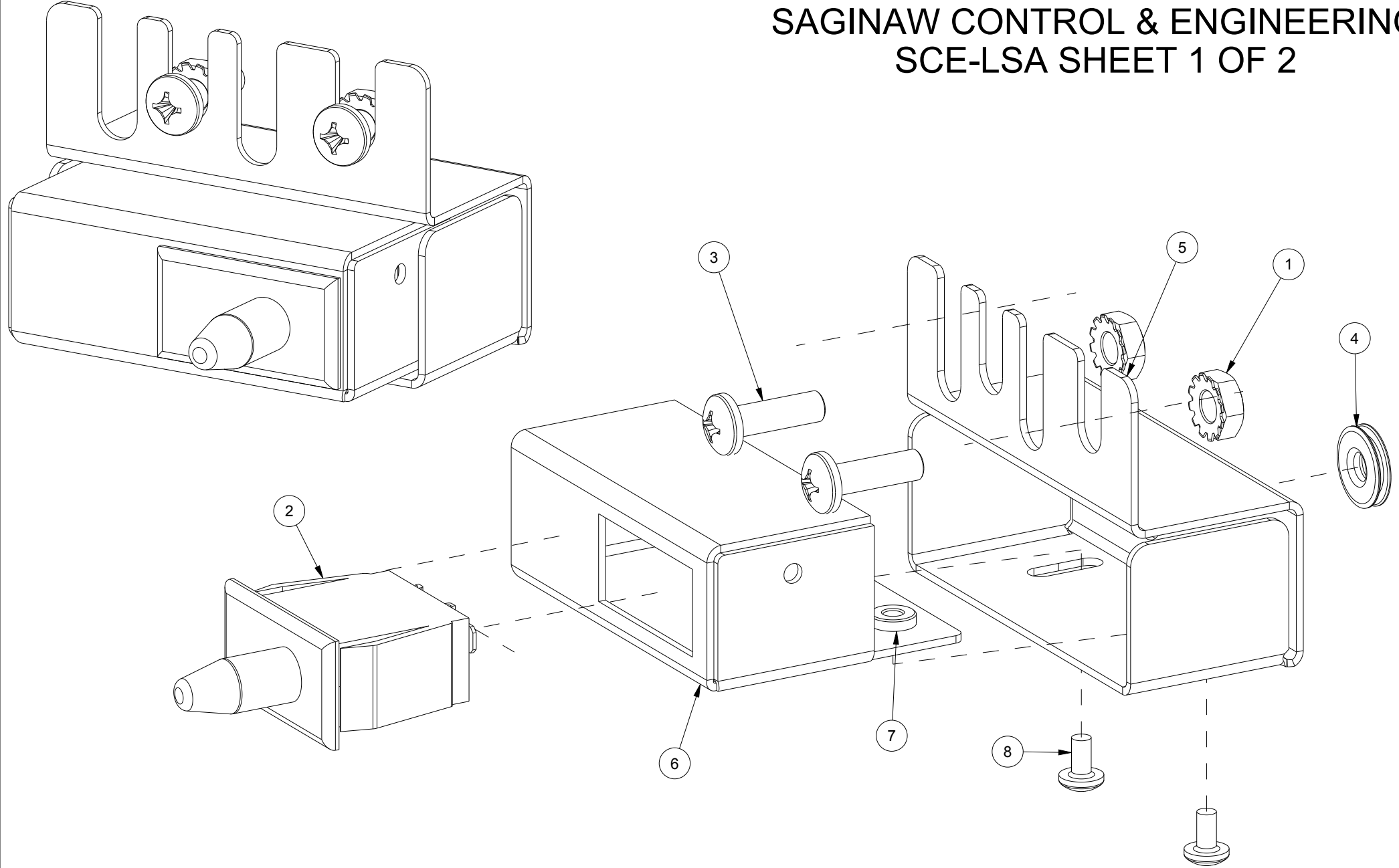


SAGINAW CONTROL & ENGINEERING

SCE-LSA SHEET 1 OF 2



BILL OF MATERIAL

ITEM	QTY	PART DESCRIPTION	PART I.D.
1	2	Nut, Keps, 10-32, Steel, Zinc Clear	100897
2	1	Plunger Switch, Micro 1DM1	101608
3	2	Screw, Pan Head Phillips, 10-32 X 5/8", Stainless Steel	102484
4	1	Grommet, 1/4" Thick X 1/4" ID X 1/2" OD, Rubber	102648
5	1	Light Switch Mounting Bracket	NA
6	1	Light Switch Switch Bracket	NA
7	2	Nut, Self Clinch, 3mm, Steel, Zinc Clear	NA
8	2	Screw, Round Head Phillips, M3 x 6mm Long, Steel, Zinc	NA

SAGINAW CONTROL & ENGINEERING

SCE-LSA SHEET 2 OF 2

